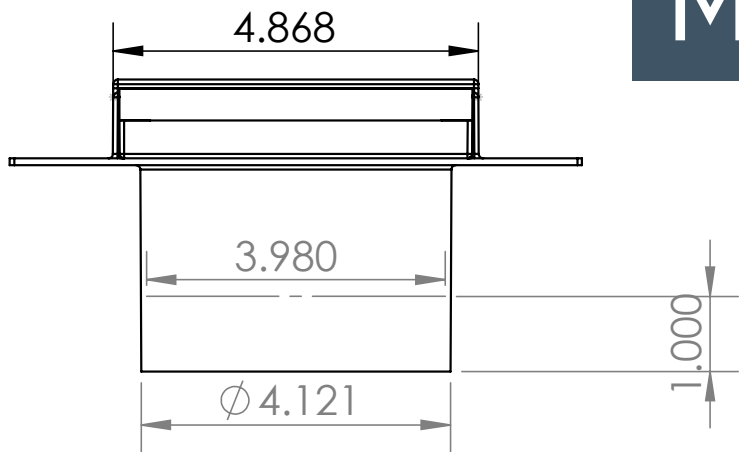
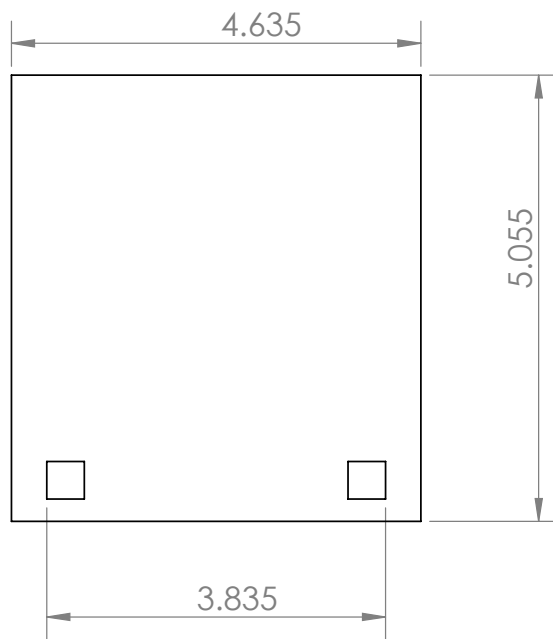
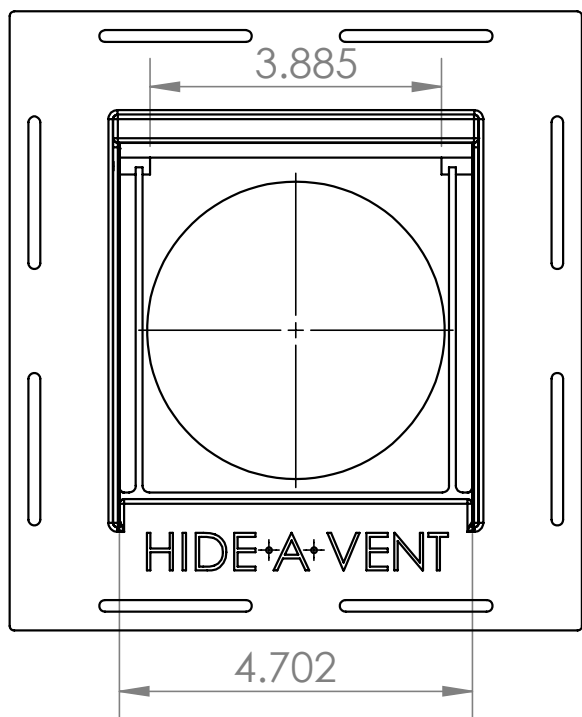


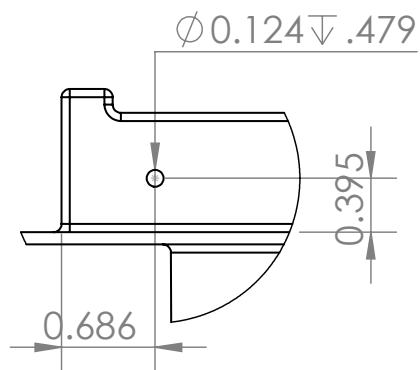
MODEL A TECHNICAL DRAWINGS



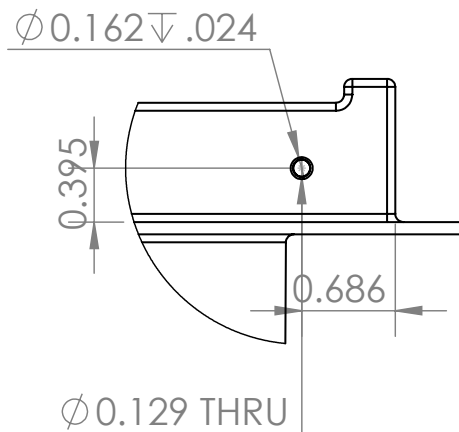
HOUSING



DAMPER



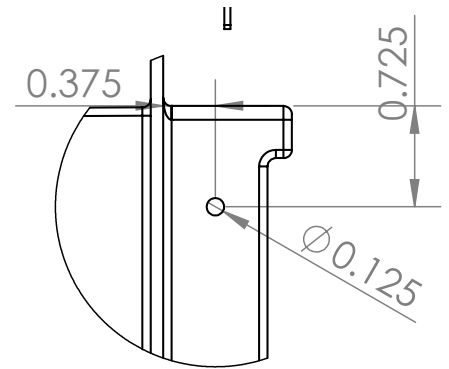
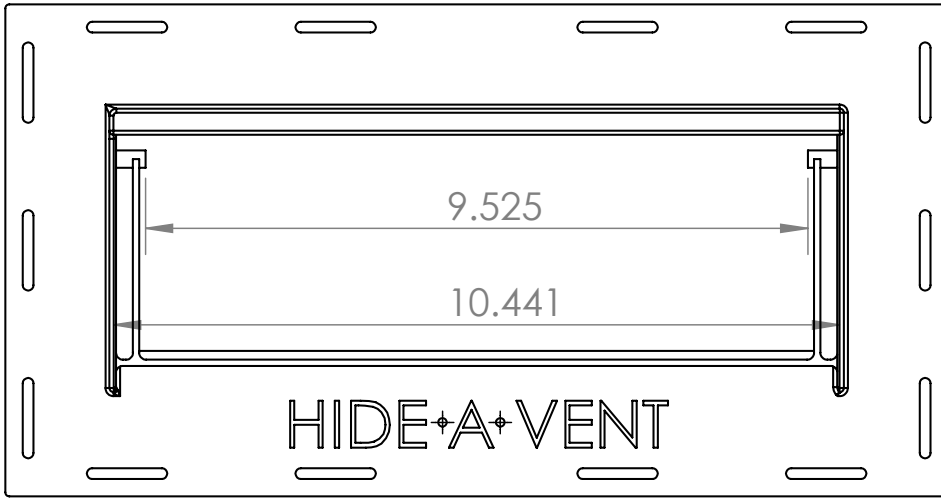
DETAIL C
SCALE 2:3



DETAIL E
SCALE 2:3

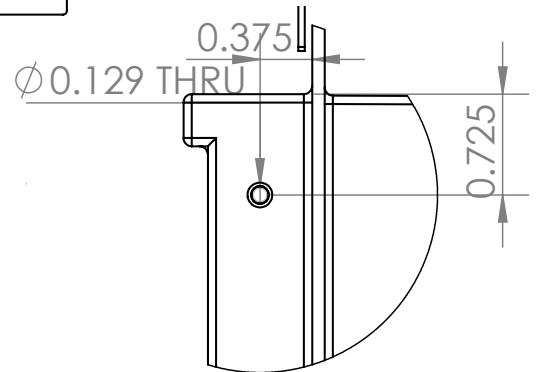
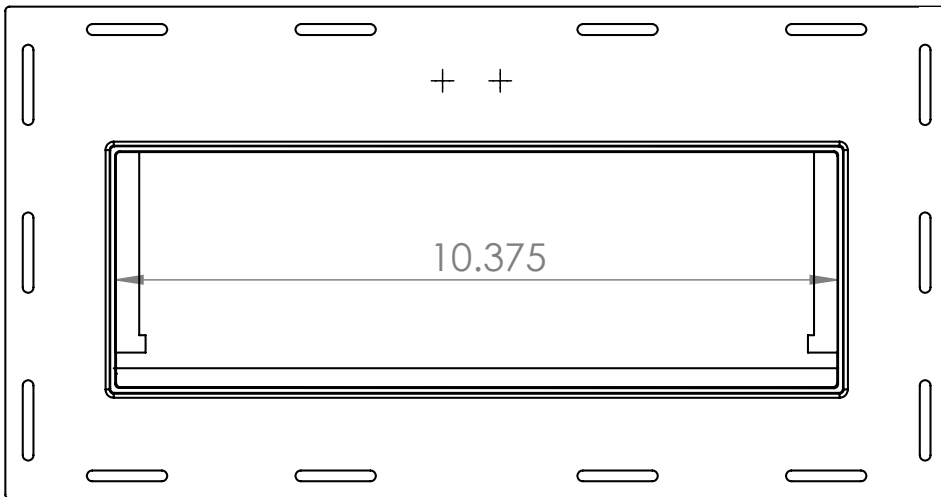
MODEL B TECHNICAL DRAWINGS

HOUSING



DETAIL C
SCALE 2 : 3

DAMPER



DETAIL B
SCALE 2 : 3

